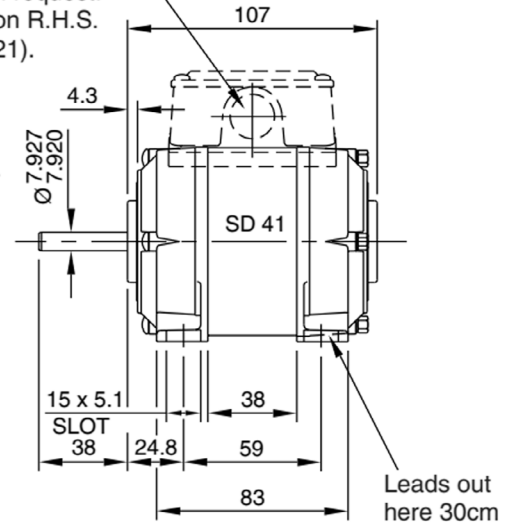


4 holes on 41.3mm P.C.D.
Can be tapped M5 × 8mm deep.

Optional terminal box tapped 20mm conduit or PG 13.5 on request. Standard entry position R.H.S. (Not available on SD21).



Part number key	
Modular	#####
Standard	#####
Special	#####

Available on request: custom shaft length and diameter, shaft on both sides, special windings for specific voltages and speed, higher IP protection class, custom flanges and connectors

Note: Brakes are not available on TEFC (Totally Enclosed Fan Cooled) motors.

All products are built in accordance to performance tolerances from EN60034-1:2010. As continuous improvement, Parvalux periodically test their product range to ensure test results are as accurate as possible and are therefore subject to change. Please ensure you are using the latest datasheets found on our website

Technical data									
1 Part number		411.4150	412.8150	411.7160	413.4160	411.4350	412.8350	411.7360	413.4360
2 Phases		1	1	1	1	3	3	3	3
3 Frequency	Hz	50	50	60	60	50	50	60	60
4 Nominal voltage	V AC	230	230	115	115	400	400	230	230
5 Nominal power	W	10	25	10	25	10	25	10	25
6 Nominal speed	rpm	1400	2800	1700	3400	1400	2800	1700	3400
7 Nominal continuous torque (S1)	Nm	0.07	0.09	0.06	0.07	0.09	0.10	0.07	0.08
8 Nominal continuous current (S1)	A	0.20	0.25	0.60	0.70	0.14	0.14	-	-
9 Starting Current	A	0.50	0.63	1.50	1.75	0.35	0.35	0	0
10 Input Watts	W	40	65	-	-	47	58	-	-
11 Capacitor Value	M.F.D	3	2.5	10	8.4	-	-	-	-
12 Starting Torque Full Load	%	100	100	100	100	150	150	150	150
13 Stack length	mm	38	38	38	38	38	38	38	38
14 Number of poles		4	2	4	2	4	2	4	2
15 Rotor inertia	Kg/cm ²	-	-	-	-	-	-	-	-

Thermal data		Modular system	
16 Ambient temperature	°C	40	
Mechanical data			
17 Radial load [distance from flange]	N [mm]	110 [15]	
Other data			
18 Weight	Kg	2.1	
19 Enclosure		VENT/TE	
20 IP Rating - Ventilated		IP20	
21 IP Rating - TE/TEFC		IP54	
22 Insulation Class		F	
23 Type		Permanent capacitor, asynchronous	
24 Direction		Bi-directional	

Gearbox	+L mm	Gearbox	+L mm
S	59	SWS	110
GB36	166	PG52	53 - 100
GB56	103	PG62	44 - 90
SIW	82	SS	81
SIS	72		

+L mm = added length

Brake 0.4 Nm **+L mm** 35