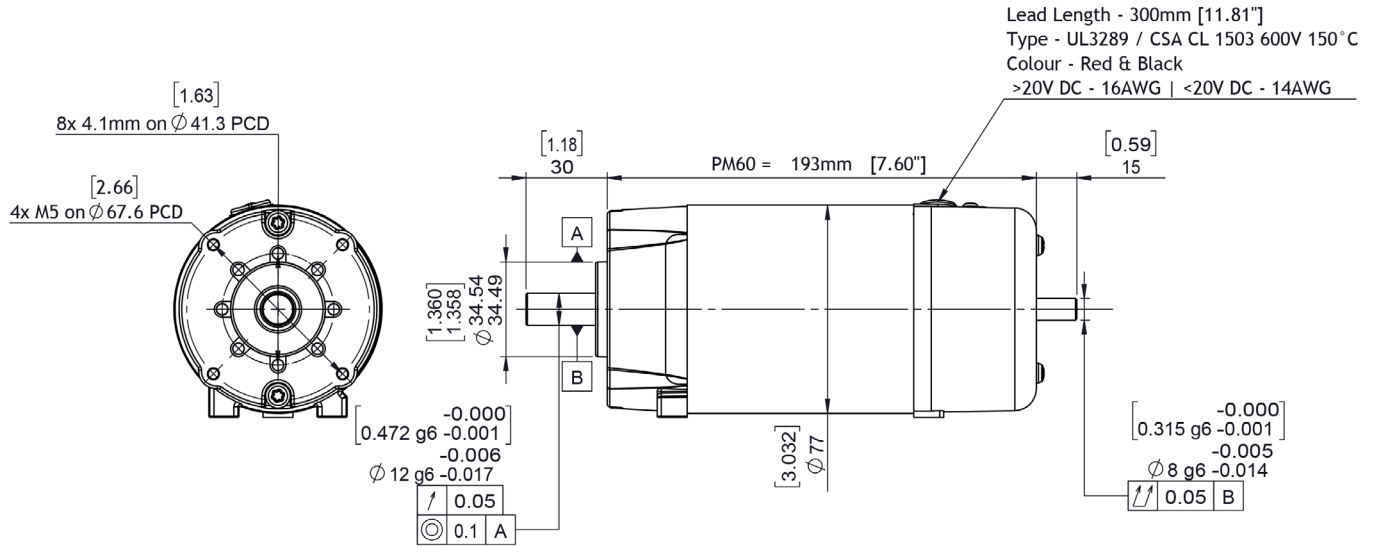


PM60 PMDC motor

Ø76 mm frame // 81 mm stack

PARVALUX



Part number key		
Modular	#####	Available on request: Custom shaft length and diameter, shaft on both sides, special windings for specific voltages and speed, higher IP protection class, custom flanges and connectors All products are built in accordance to performance tolerances from EN60034-1:2010. As continuous improvement, Parvalux periodically test their product range to ensure test results are as accurate as possible and are therefore subject to change. Please ensure you are using the latest datasheets found on our website
Standard	#####	
Special	#####	

Technical data			PM60-3K12	PM60-3K24	PM60-3K40	PM60-3K48	PM60-3K110	PM60-3K220
1 Part number								
2 Nominal power	W		273	273	273	273	273	273
3 Nominal voltage	V		12	24	40	48	110	220
4 No load speed	rpm		3562	3638	3846	3564	4091	3983
5 No load current	A		2.50	1.20	0.59	0.77	0.35	0.13
6 Nominal speed	rpm		3000	3000	3000	3000	3000	3000
7 Nominal continuous torque (S1)	Nm		0.87	0.87	0.87	0.87	0.87	0.87
8 Nominal continuous current (S1)	A		28.5	14.8	9.4	8.0	3.6	1.8
9 Max. intermittent torque (S3)	Nm		1.15	1.15	1.15	1.15	1.15	1.15
10 Stall current	A		112.0	76.0	54.0	55.0	17.4	8.7
11 Stall torque	Nm		3.7	4.8	5.3	6.4	4.5	4.7
12 Stack length	mm		81	81	81	81	81	81
13 Maximum efficiency	%		77	79	80	74	77	78
14 Terminal resistance - phase to phase	Ω		0.11	0.32	0.74	0.87	6.34	25.30
15 Terminal inductance - phase to phase	mH		-	-	-	-	-	-
16 Speed constant	rpm/V		285	146	92	73	37	17
17 Torque constant	Nm/A		0.034	0.064	0.098	0.120	0.260	0.530
18 Speed torque gradient	rpm/Nm		974	760	732	552	906	874
19 Rotor inertia	gcm ²		4600	4600	4600	4600	4600	4600

Thermal data		
20 Ambient temperature	°C	40

Mechanical data		
21 Radial load [distance from flange]	N [mm]	200 [15]

Other data		
22 Number of poles		2
23 Weight	Kg	2.9
24 IP rating		IP21
25 Enclosure		Ventilated
26 Insulation Class		F
27 Reversible		Yes

Compatible products

Brake	+L mm	Gearbox	+L mm	Gearbox	+L mm
1.5 Nm	28.2	M	85	LWS	127
2.0 Nm	32.4	GB12	110	LIS	108
		MIW	83	PG71	49 - 99
		MIS	95	PG80	52 - 102
		LIW	102		

Encoder +L mm

Optical	9
Magnetic	12

Controller

SC 50/15
ESCON
EPOS

+L mm = added length