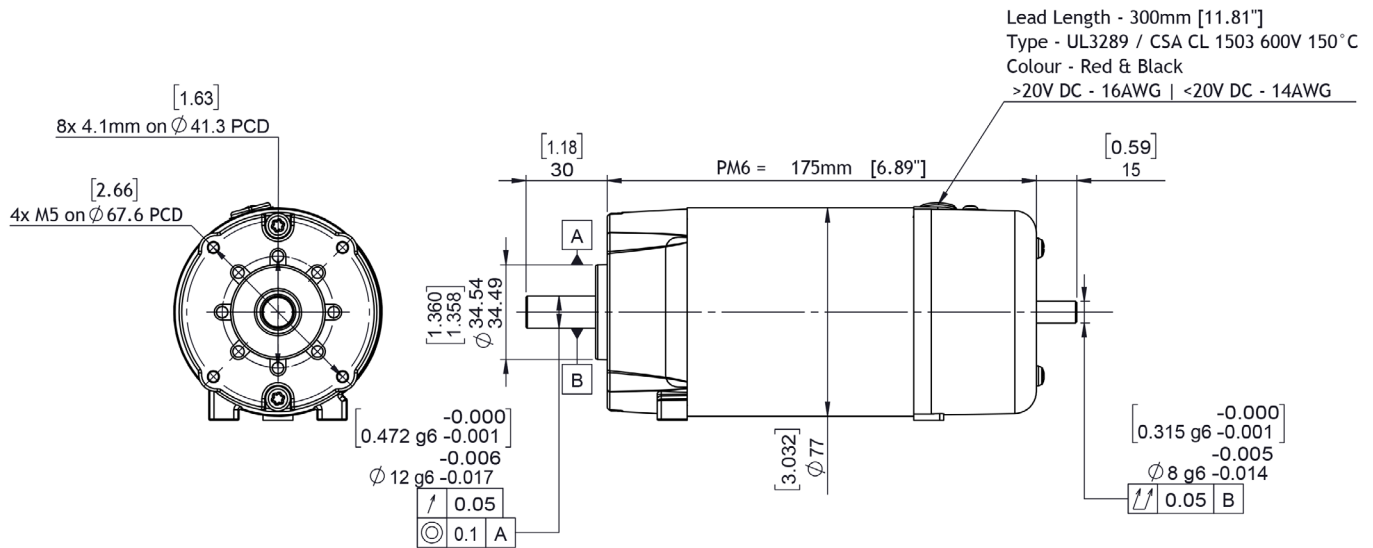


PM6 PMDC motor

Ø76 mm frame // 69 mm stack

PARVALUX



Part number key		
Modular	#####	Available on request: Custom shaft length and diameter, shaft on both sides, special windings for specific voltages and speed, higher IP protection class, custom flanges and connectors All products are built in accordance to performance tolerances from EN60034-1:2010. As continuous improvement, Parvalux periodically test their product range to ensure test results are as accurate as possible and are therefore subject to change. Please ensure you are using the latest datasheets found on our website
Standard	#####	
Special	#####	

Technical data			PM6-3K12	PM6-3K24	PM6-3K40	PM6-3K48	PM6-3K110	PM6-3K220
1 Part number								
2 Nominal power	W		220	220	220	220	220	220
3 Nominal voltage	V		12	24	40	48	110	220
4 No load speed	rpm		4322	3869	3789	3748	3511	3726
5 No load current	A		2.20	1.31	0.41	0.77	0.29	0.11
6 Nominal speed	rpm		3000	3000	3000	3000	3000	3000
7 Nominal continuous torque (S1)	Nm		0.7	0.7	0.7	0.7	0.7	0.7
8 Nominal continuous current (S1)	A		27.8	13.4	7.2	6.2	2.6	1.4
9 Max. intermittent torque (S3)	Nm		0.9	0.9	0.9	0.9	0.9	0.9
10 Stall current	A		94.0	53.4	36.0	26.0	12.3	1.1
11 Stall torque	Nm		2.5	3.0	3.6	3.3	3.6	3.3
12 Stack length	mm		69	69	69	69	69	69
13 Maximum efficiency	%		75	71	81	75	73	74
14 Terminal resistance - phase to phase	Ω		0.13	0.45	1.13	1.85	8.97	36.00
15 Terminal inductance - phase to phase	mH		-	-	-	-	-	-
16 Speed constant	rpm/V		359	156	91	78	32	16
17 Torque constant	Nm/A		0.027	0.058	0.100	0.130	0.300	0.550
18 Speed torque gradient	rpm/Nm		1723	1284	1048	1146	975	1136
19 Rotor inertia	gcm ²		3250	3250	3250	3250	3250	3250

Thermal data		Compatible products	
20 Ambient temperature	°C	40	
Mechanical data		Brake	Gearbox
21 Radial load [distance from flange]	N [mm]	200 [15]	
Other data			
22 Number of poles		2	
23 Weight	Kg	2.7	
24 IP rating		IP21	
25 Enclosure		Ventilated	
26 Insulation Class		F	
27 Reversible		Yes	

