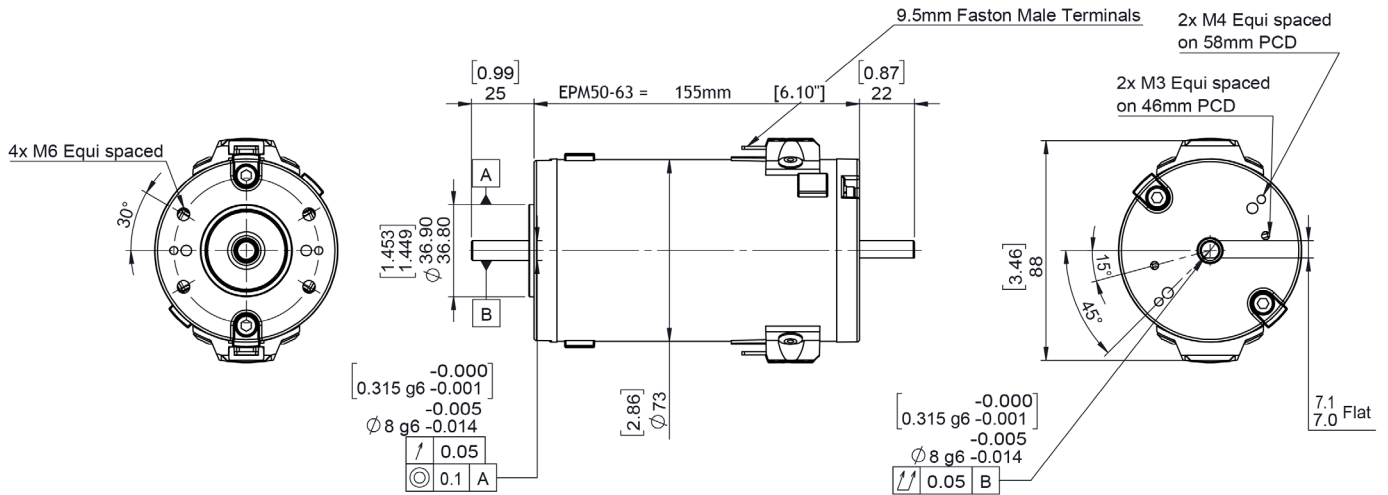


EPM50-63 PMDC motor

Ø73 mm frame // 63 mm stack

PARVALUX



Part number key	
Modular	#####
Standard	#####
Special	#####

Available on request: Custom shaft length and diameter, shaft on both sides, special windings for specific voltages and speed, higher IP protection class, custom flanges and connectors

All products are built in accordance to performance tolerances from EN60034-1:2010. As continuous improvement, Parvalux periodically test their product range to ensure test results are as accurate as possible and are therefore subject to change. Please ensure you are using the latest datasheets found on our website

Technical data		E5063-3K12	E5063-3K24	E5063-3K40	E5063-3K48
1 Part number					
2 Nominal power	W	151	151	151	151
3 Nominal voltage	V	12	24	40	48
4 No load speed	rpm	4119	3912	3650	3598
5 No load current	A	1.30	0.50	0.27	0.22
6 Nominal speed	rpm	3000	3000	3000	3000
7 Nominal continuous torque (S1)	Nm	0.48	0.48	0.48	0.48
8 Nominal continuous current (S1)	A	18.0	8.4	4.9	4.1
9 Max. intermittent torque (S3)	Nm	0.80	0.80	0.80	0.80
10 Stall current	A	79.0	42.0	32.0	26.0
11 Stall torque	Nm	2.3	2.8	3.3	3.2
12 Stack length	mm	63	63	63	63
13 Maximum efficiency	%	80	80	81	81
14 Terminal resistance - phase to phase	Ω	0.15	0.57	1.25	1.86
15 Terminal inductance - phase to phase	mH	-	-	-	-
16 Speed constant	rpm/V	330	178	90	74
17 Torque constant	Nm/A	0.030	0.060	0.100	0.130
18 Speed torque gradient	rpm/Nm	1835	1412	1121	1120
19 Rotor inertia	gcm ²	2480	2480	2480	2480

Thermal data	
20 Ambient temperature	°C 40

Mechanical data	
21 Radial load [distance from flange]	N [mm] 150 [15]

Other data	
22 Number of poles	2
23 Weight	Kg 2.2
24 IP rating	IP44
25 Enclosure	Enclosed
26 Insulation Class	F
27 Reversible	Yes

