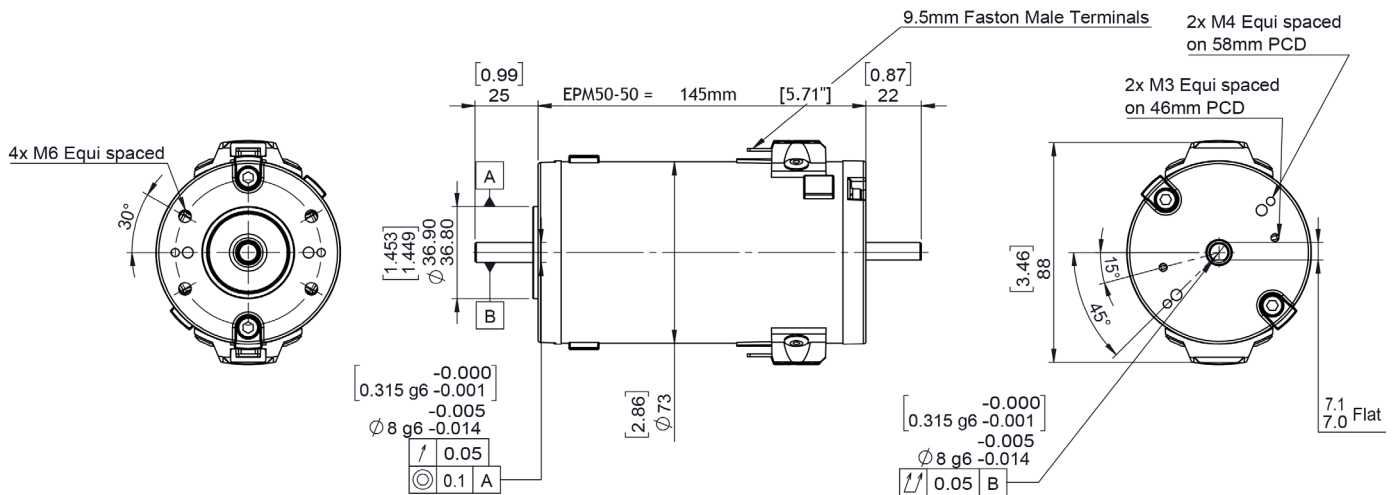


EPM50-50 PMDC motor

Ø73 mm frame // 50 mm stack

PARVALUX



Part number key	
Modular	#####
Standard	#####
Special	#####

Available on request: Custom shaft length and diameter, shaft on both sides, special windings for specific voltages and speed, higher IP protection class, custom flanges and connectors

All products are built in accordance to performance tolerances from EN60034-1:2010. As continuous improvement, Parvalux periodically test their product range to ensure test results are as accurate as possible and are therefore subject to change. Please ensure you are using the latest datasheets found on our website

Technical data					
1 Part number		E5050-3K12	E5050-3K24	E5050-3K40	E5050-3K48
2 Nominal power	W	123	123	123	123
3 Nominal voltage	V	12	24	40	48
4 No load speed	rpm	4051	3624	3579	3624
5 No load current	A	1.26	0.50	0.30	0.25
6 Nominal speed	rpm	3000	3000	3000	3000
7 Nominal continuous torque (S1)	Nm	0.39	0.39	0.39	0.39
8 Nominal continuous current (S1)	A	14.3	6.7	4.0	3.3
9 Max. intermittent torque (S3)	Nm	0.65	0.65	0.65	0.65
10 Stall current	A	77.0	41.0	24.0	20.0
11 Stall torque	Nm	2.3	2.5	2.5	2.5
12 Stack length	mm	50	50	50	50
13 Maximum efficiency	%	81	79	80	80
14 Terminal resistance - phase to phase	Ω	0.16	0.59	1.68	2.36
15 Terminal inductance - phase to phase	mH	-	-	-	-
16 Speed constant	rpm/V	1786	148	88	74
17 Torque constant	Nm/A	0.030	0.060	0.110	0.130
18 Speed torque gradient	rpm/Nm	1786	1426	1426	1426
19 Rotor inertia	gcm ²	2280	2280	2280	2280

Thermal data		Modular system																					
20 Ambient temperature	°C	40																					
Mechanical data		<table border="1"> <thead> <tr> <th>Brake</th> <th>+L mm</th> <th>Gearbox</th> <th>+L mm</th> </tr> </thead> <tbody> <tr> <td>1.5 Nm</td> <td>28.2</td> <td>GB4/41</td> <td>110</td> </tr> <tr> <td>2.0 Nm</td> <td>32.2</td> <td>GB12</td> <td>110</td> </tr> <tr> <td></td> <td></td> <td>PG62</td> <td>44 - 90</td> </tr> <tr> <td></td> <td></td> <td>PG71</td> <td>49 - 99</td> </tr> </tbody> </table>		Brake	+L mm	Gearbox	+L mm	1.5 Nm	28.2	GB4/41	110	2.0 Nm	32.2	GB12	110			PG62	44 - 90			PG71	49 - 99
Brake	+L mm	Gearbox	+L mm																				
1.5 Nm	28.2	GB4/41	110																				
2.0 Nm	32.2	GB12	110																				
		PG62	44 - 90																				
		PG71	49 - 99																				
21 Radial load [distance from flange]	N [mm]	150 [15]																					
Other data		<table border="1"> <thead> <tr> <th>Encoder</th> <th>+L mm</th> <th>Controller</th> </tr> </thead> <tbody> <tr> <td>Optical</td> <td>9</td> <td>SC 50/15</td> </tr> <tr> <td>Magnetic</td> <td>12</td> <td>ESCON</td> </tr> <tr> <td></td> <td></td> <td>EPOS</td> </tr> </tbody> </table>		Encoder	+L mm	Controller	Optical	9	SC 50/15	Magnetic	12	ESCON			EPOS								
Encoder	+L mm	Controller																					
Optical	9	SC 50/15																					
Magnetic	12	ESCON																					
		EPOS																					
22 Number of poles		2																					
23 Weight	Kg	2.1																					
24 IP rating		IP44																					
25 Enclosure		Enclosed																					
26 Insulation Class		F																					
27 Reversible		Yes																					

+L mm = added length