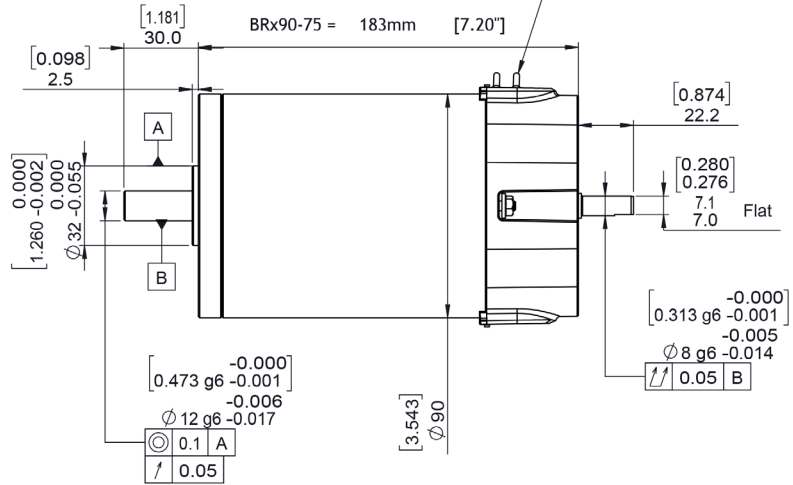
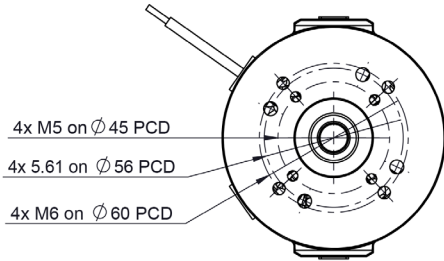


# BRx90-75 PMDC motor

Ø90 mm frame // 75 mm stack

# PARVALUX

Lead Length - 300mm [11.81"]  
 Type - UL3289 / CSA CL 1503 600V 150°C  
 Colour - Red & Black  
 >20V DC - 16AWG | <20V DC - 14AWG



Part number key	
Modular	#####
Standard	#####
Special	#####

**Available on request:** Custom shaft length and diameter, shaft on both sides, special windings for specific voltages and speed, higher IP protection class, custom flanges and connectors

All products are built in accordance to performance tolerances from EN60034-1:2010. As continuous improvement, Parvalux periodically test their product range to ensure test results are as accurate as possible and are therefore subject to change. Please ensure you are using the latest datasheets found on our website

Technical data				
1 Part number		735850	735852	9075348
2 Nominal power	W	283	283	283
3 Nominal voltage	V	12	24	48
4 No load speed	rpm	3882	3390	3390
5 No load current	A	2	1.3	0.7
6 Nominal speed	rpm	3000	3000	3000
7 Nominal continuous torque (S1)	Nm	0.9	0.9	0.9
8 Nominal continuous current (S1)	A	31.9	14.5	7.2
9 Max. intermittent torque (S3)	Nm	1.50	1.50	1.50
10 Stall current	A	128	112	56
11 Stall torque	Nm	3.8	7.3	7.3
12 Stack length	mm	75	75	75
13 Maximum efficiency	%	78	80	80
14 Terminal resistance - phase to phase	Ω	0.053	0.200	0.850
15 Terminal inductance - phase to phase	mH	-	-	-
16 Speed constant	rpm/V	327	135	68
17 Torque constant	Nm/A	0.03	0.07	0.14
18 Speed torque gradient	rpm/Nm	1010	464	464
19 Rotor inertia	gcm <sup>2</sup>	8530	8530	8530

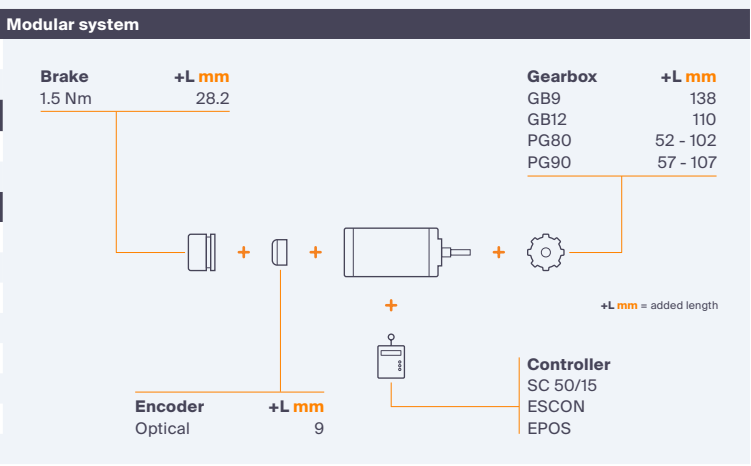
Thermal data		
20 Ambient temperature	°C	40

Mechanical data		
21 Radial load [distance from flange]	N [mm]	200 [15]

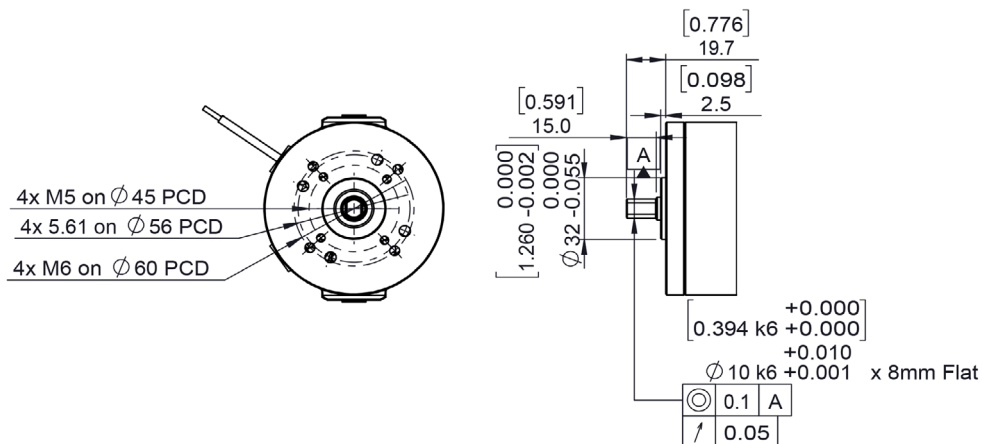
  

Other data		
22 Number of poles		2
23 Weight	Kg	4.0
24 IP rating		IP54
25 Enclosure		Enclosed
26 Insulation Class		F
27 Reversible		Yes

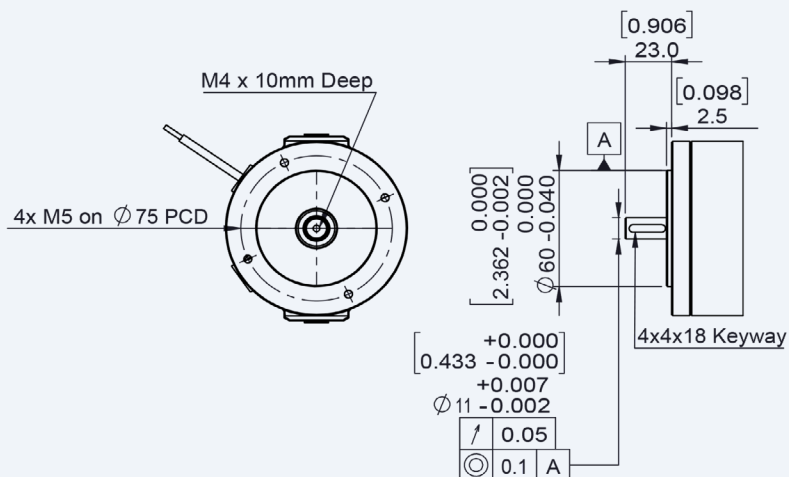


## Alternative mounting options

### PG gearhead shaft and mounting



### IEC shaft and mounting



### GB12 shaft and mounting

