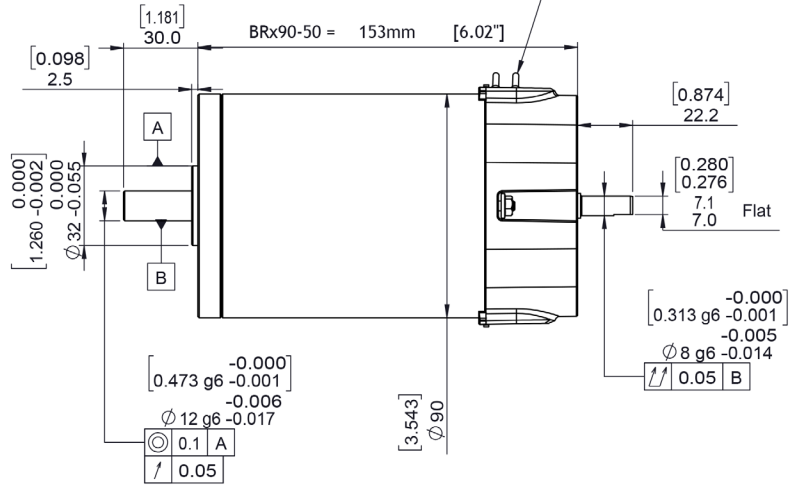
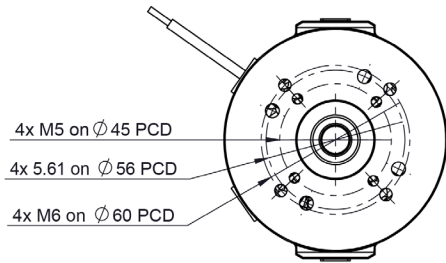


BRx90-50 PMDC motor

Ø90 mm frame // 50 mm stack

PARVALUX

Lead Length - 300mm [11.81"]
 Type - UL3289 / CSA CL 1503 600V 150°C
 Colour - Red & Black
 >20V DC - 16AWG | <20V DC - 14AWG



Part number key	
Modular	#####
Standard	#####
Special	#####

Available on request: Custom shaft length and diameter, shaft on both sides, special windings for specific voltages and speed, higher IP protection class, custom flanges and connectors

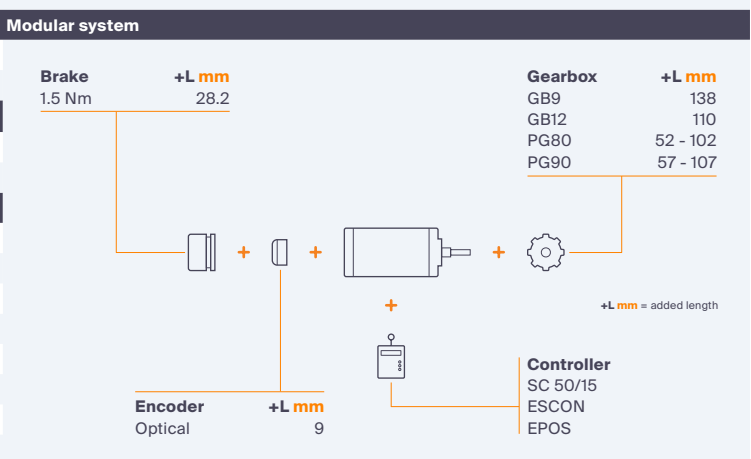
All products are built in accordance to performance tolerances from EN60034-1:2010. As continuous improvement, Parvalux periodically test their product range to ensure test results are as accurate as possible and are therefore subject to change. Please ensure you are using the latest datasheets found on our website

Technical data				
1 Part number		735850	735852	9050348
2 Nominal power	W	210	210	210
3 Nominal voltage	V	12	24	48
4 No load speed	rpm	3392	3311	3311
5 No load current	A	2.7	1.7	0.9
6 Nominal speed	rpm	3000	3000	3000
7 Nominal continuous torque (S1)	Nm	0.67	0.67	0.67
8 Nominal continuous current (S1)	A	21.9	11.3	5.6
9 Max. intermittent torque (S3)	Nm	1.17	1.17	1.17
10 Stall current	A	113	105	53
11 Stall torque	Nm	3.9	7.2	7.2
12 Stack length	mm	50	50	50
13 Maximum efficiency	%	76	76	77
14 Terminal resistance - phase to phase	Ω	0.115	0.210	0.900
15 Terminal inductance - phase to phase	mH	-	-	-
16 Speed constant	rpm/V	276	140	68
17 Torque constant	Nm/A	0.04	0.07	0.14
18 Speed torque gradient	rpm/Nm	877	463	463
19 Rotor inertia	gcm ²	7140	7140	7140

Thermal data	
20 Ambient temperature	°C 40

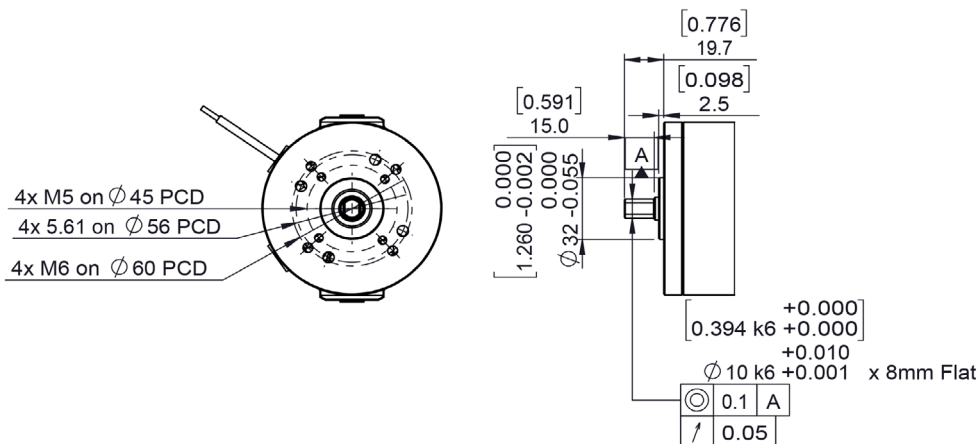
Mechanical data	
21 Radial load [distance from flange]	N [mm] 200 [15]

Other data	
22 Number of poles	2
23 Weight	Kg 3.6
24 IP rating	IP54
25 Enclosure	Enclosed
26 Insulation Class	F
27 Reversible	Yes

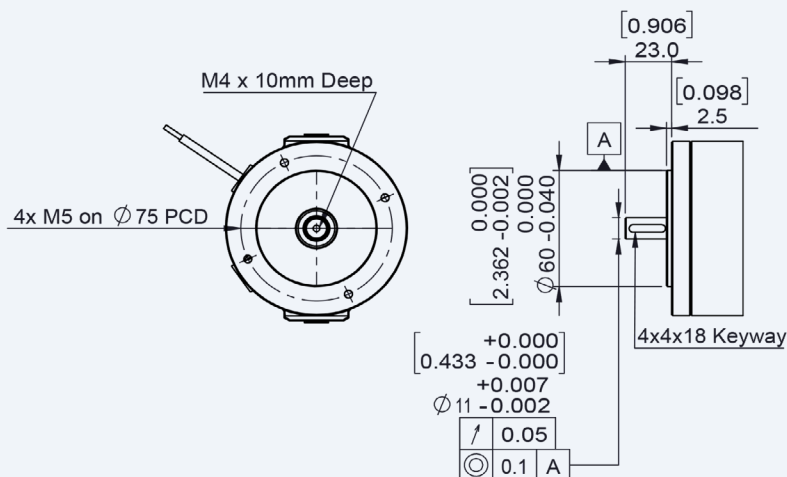


Alternative mounting options

PG gearhead shaft and mounting



IEC shaft and mounting



GB12 shaft and mounting

