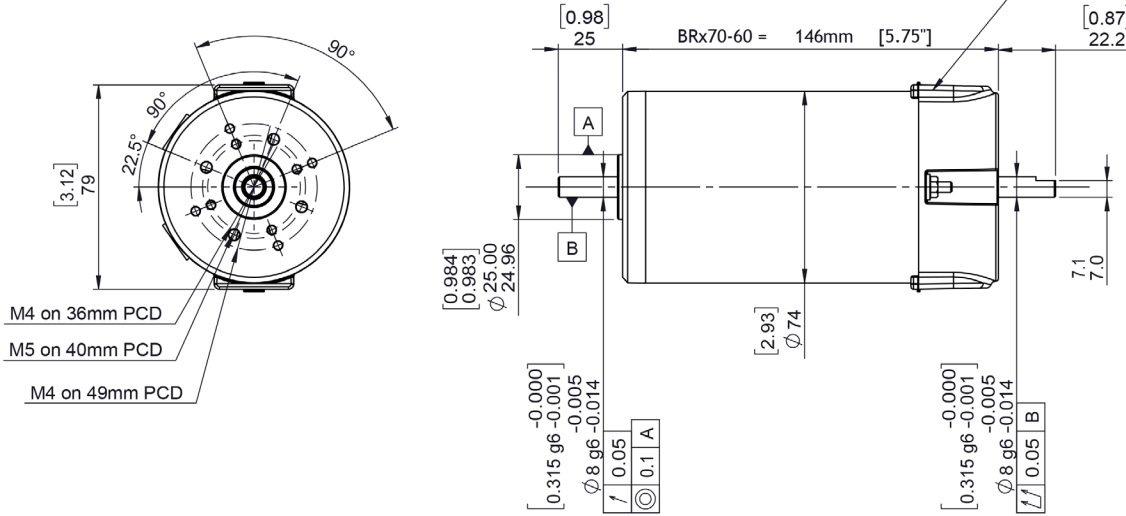


BRx70-60 PMDC motor

Ø70 mm frame // 60 mm stack

PARVALUX

Lead Length - 300mm [11.81"]
 Type - UL3289 / CSA CL 1503 600V 150°C
 Colour - Red & Black
 >20V DC - 16AWG | <20V DC - 14AWG



Part number key	
Modular	#####
Standard	#####
Special	#####

Available on request: Custom shaft length and diameter, shaft on both sides, special windings for specific voltages and speed, higher IP protection class, custom flanges and connectors

All products are built in accordance to performance tolerances from EN60034-1:2010. As continuous improvement, Parvalux periodically test their product range to ensure test results are as accurate as possible and are therefore subject to change. Please ensure you are using the latest datasheets found on our website

Technical data				
1 Part number		7060312	7060324	7060348
2 Nominal power	W	120	120	120
3 Nominal voltage	V	12	24	48
4 No load speed	rpm	4100	3684	3684
5 No load current	A	2.1	1.1	0.6
6 Nominal speed	rpm	3000	3000	3000
7 Nominal continuous torque (S1)	Nm	0.38	0.38	0.38
8 Nominal continuous current (S1)	A	15.9	7.0	3.5
9 Max. intermittent torque (S3)	Nm	0.63	0.63	0.63
10 Stall current	A	90	48	24
11 Stall torque	Nm	2.4	3	3
12 Stack length	mm	60	60	60
13 Maximum efficiency	%	71	76	76
14 Terminal resistance - phase to phase	Ω	0.150	0.360	2.000
15 Terminal inductance - phase to phase	mH	-	-	-
16 Speed constant	rpm/V	342	148	74
17 Torque constant	Nm/A	0.03	0.07	0.13
18 Speed torque gradient	rpm/Nm	1680	1229	1229
19 Rotor inertia	gcm ²	2500	2500	2500

Thermal data

20 Ambient temperature	°C	40
------------------------	----	----

Mechanical data

21 Radial load [distance from flange]	N [mm]	200 [15]
---------------------------------------	--------	----------

Other data

22 Number of poles		2
23 Weight	Kg	2.1
24 IP rating		IP54
25 Enclosure		Enclosed
26 Insulation Class		F
27 Reversible		Yes

Modular system

