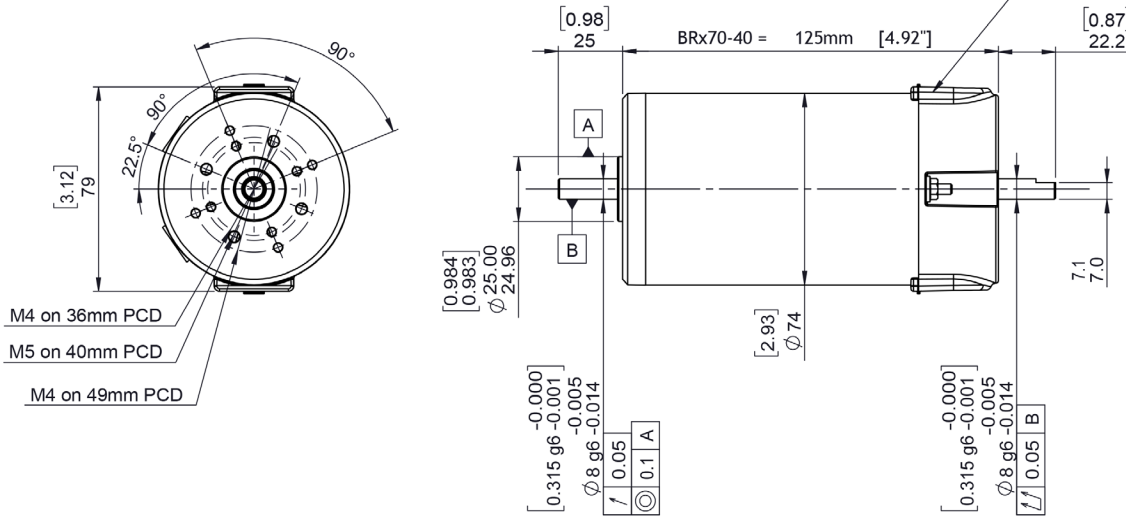


BRx70-40 PMDC motor

Ø70 mm frame // 40 mm stack

PARVALUX

Lead Length - 300mm [11.81"]
 Type - UL3289 / CSA CL 1503 600V 150°C
 Colour - Red & Black
 >20V DC - 16AWG | <20V DC - 14AWG



Part number key	
Modular	#####
Standard	#####
Special	#####

Available on request: Custom shaft length and diameter, shaft on both sides, special windings for specific voltages and speed, higher IP protection class, custom flanges and connectors

All products are built in accordance to performance tolerances from EN60034-1:2010. As continuous improvement, Parvalux periodically test their product range to ensure test results are as accurate as possible and are therefore subject to change. Please ensure you are using the latest datasheets found on our website

Technical data				
1 Part number		7040312	7040324	7040348
2 Nominal power	W	80	80	80
3 Nominal voltage	V	12	24	48
4 No load speed	rpm	3526	3733	3627
5 No load current	A	1.33	0.71	0.3
6 Nominal speed	rpm	3000	3000	3000
7 Nominal continuous torque (S1)	Nm	0.25	0.25	0.25
8 Nominal continuous current (S1)	A	8.8	4.7	2.3
9 Max. intermittent torque (S3)	Nm	0.42	0.42	0.42
10 Stall current	A	68	40	18
11 Stall torque	Nm	2.2	2.3	2.3
12 Stack length	mm	40	40	40
13 Maximum efficiency	%	76	76	76
14 Terminal resistance - phase to phase	Ω	-	0.6	2.7
15 Terminal inductance - phase to phase	mH	-	-	-
16 Speed constant	rpm/V	291	153	75
17 Torque constant	Nm/A	0.03	0.06	0.13
18 Speed torque gradient	rpm/Nm	1595	1595	1595
19 Rotor inertia	gcm ²	1830	1830	1830

Thermal data	
20 Ambient temperature	°C 40

Mechanical data	
21 Radial load [distance from flange]	N [mm] 200 [15]

Other data	
22 Number of poles	2
23 Weight	Kg 1.9
24 IP rating	IP54
25 Enclosure	Enclosed
26 Insulation Class	F
27 Reversible	Yes

