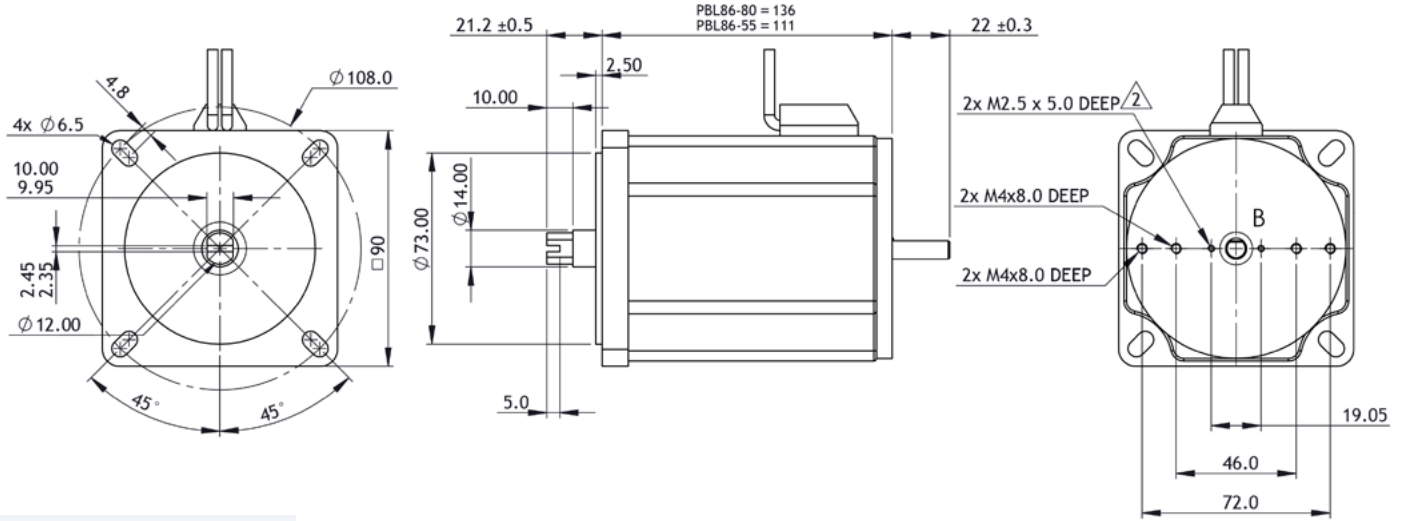


PBL86 BLDC motor

Ø86 mm frame // 55 / 80 mm stack

PARVALUX



all dimensions in mm

Part number key	
Modular	#####
Standard	#####
Special	#####

Available on request: custom shaft length and diameter, shaft on both sides, special windings for specific voltages and speed, higher IP protection class, custom flanges and connectors

All products are built in accordance to performance tolerances from EN60034-1:2010. As continuous improvement, Parvalux periodically test their product range to ensure test results are as accurate as possible and are therefore subject to change. Please ensure you are using the latest datasheets found on our website

Technical data

Part number	776624	776625
1 Part number		
2 Nominal power	W 419	586
3 Nominal voltage	V 48	48
4 No load speed	rpm 4578	4273
5 No load current	A 1.3	1.5
6 Nominal speed	rpm 4000	4000
7 Nominal continuous torque (S1)	Nm 1.0	1.4
8 Nominal continuous current (S1)	A 10.3	15.4
9 Max Intermittent torque (S2 - 15 minutes)	Nm 1.8	2.5
10 Stall current	A 103.0	219.0
11 Stall torque	Nm 11.0	24.0
12 Stack length	mm 55	80
13 Maximum efficiency	% 82	81
14 Ra	Ω -	-
15 Ri	mH -	-
16 Speed constant	rpm/V 94.7	874
17 Torque constant	Nm/A 0.110	0.097
18 Speed torque gradient	rpm/Nm 412	180
19 Rotor inertia	Kg/cm² 2040	2900
20 Weight	Kg 3.2	4.2

Thermal data

21 Ambient temperature	°C	40
------------------------	----	----

Mechanical data

22 Radial load [distance from flange]	N [mm]	350 [15]
23 Radial play	N [@g]	0.06 [450]
24 Axial end play	N [@g]	0.08 [450]

Other data

25 Number of poles	8
26 Winding type	Delta
27 Hall effect angle (electrical angle)	° 120
28 IP Rating	IP54
29 Enclosure	Enclosed
30 Insulation Class	B

Compatible products

Brake	+L mm
1.5	28.2
3.0	32.2
Gearbox	+L mm
GB9	138
GB12	110
PG80	52 - 102
PG90	57 - 107

