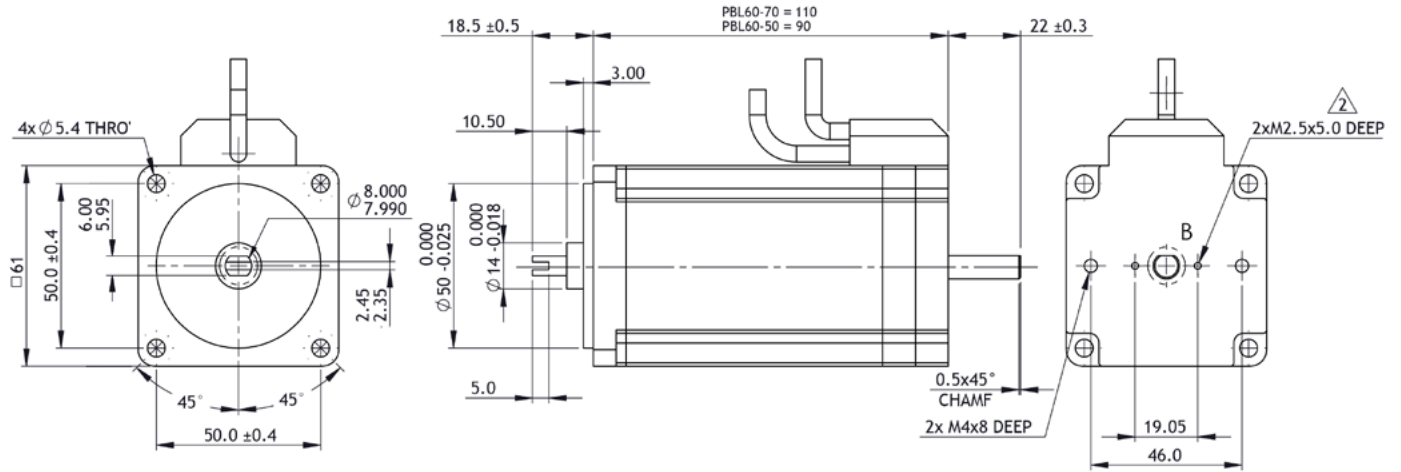


PBL60 BLDC motor

Ø60 mm frame // 50 / 70 mm stack

PARVALUX



all dimensions in mm

Part number key

Modular	#####
Standard	#####
Special	#####

Available on request: custom shaft length and diameter, shaft on both sides, special windings for specific voltages and speed, higher IP protection class, custom flanges and connectors

All products are built in accordance to performance tolerances from EN60034-1:2010. As continuous improvement, Parvalux periodically test their product range to ensure test results are as accurate as possible and are therefore subject to change. Please ensure you are using the latest datasheets found on our website

Technical data

1 Part number		776618	776619	776620	776621
2 Nominal power	W	138	138	209	209
3 Nominal voltage	V	24	48	24	48
4 No load speed	rpm	4356	4356	4615	4531
5 No load current	A	1.1	0.55	1.7	0.83
6 Nominal speed	rpm	4000	4000	4000	4000
7 Nominal continuous torque (S1)	Nm	0.33	0.33	0.50	0.50
8 Nominal continuous current (S1)	A	6.7	3.3	11.3	5.5
9 Max Intermittent torque (S2 - 15 minutes)	Nm	0.58	0.58	0.88	0.88
10 Stall current	A	53.0	26.3	102.0	49.0
11 Stall torque	Nm	3.0	3.0	5.5	5.4
12 Stack length	mm	50	50	70	70
13 Maximum efficiency	%	82	83	81	81
14 Ra	Ω	-	-	-	-
15 Ri	mH	-	-	-	-
16 Speed constant	rpm/V	176	88	190	93
17 Torque constant	Nm/A	0.059	0.120	0.050	0.100
18 Speed torque gradient	rpm/Nm	1434	1434	847	847
19 Rotor inertia	gcm ²	497	497	728	728
20 Weight	Kg	1.2	1.2	1.6	1.6

Thermal data

21 Ambient temperature	°C	40
------------------------	----	----

Mechanical data

22 Radial load [distance from flange]	N [mm]	350 [15]
23 Radial play	N [°g]	0.025 [450]
24 Axial end play	N [°g]	0.025 [450]

Other data

25 Number of poles		8
26 Winding type		Delta
27 Hall effect angle (electrical angle)	°	120
28 IP Rating		IP54
29 Enclosure		Enclosed
30 Insulation Class		B

Compatible products

